



SINGLE DISPLAY CARTS AND STANDS

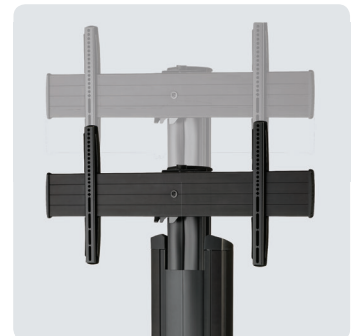
Chief's Fusion® Series single-display carts and stands provide users a great looking portable AV solution packed with time-saving features.

FEATURES

- Sleek design aesthetics to provide a professional look that fits into any environment
- Turn knob allows a single user to raise and lower the screen by hand or power drill
- Flexible cable covers allow access at any point along the column while concealing cables for a clean installation (XPA1U covers can be removed completely)
- +5/-5 degrees of tilt and effortless display adjustment
- Tool-free latching flags allow for additional padlock security
- Carts include smooth rolling and lockable castors for easy positioning; XPA1U also includes handles
- XPA1U and XFA1U feature a magnetic, removable front cover for easy cable routing to AV components stored inside
- Black or silver finish



Tool-Free Latching Flags



Easy Height Adjustment



MPAU

Medium Flat Panel Cart

LFAU

Large Flat Panel
Floor Stand

XFA1U

Large Flat Panel
Floor Support

XPA1U

XL Flat Panel Cart

SPECIFICATIONS

Model	Recommended Screen Size	Tilt	Height Adjustment*	Maximum Mounting Patterns (WxH)	Weight Capacity
XPA1U	55 - 100" +	±5°	48 - 65" (1.2 - 1.7 m)	800 x 400 mm	300 lbs (136 kg)
XFA1U	55 - 100" +	±5°	42 - 59.6" (1.1 - 1.5 m)	800 x 400 mm	300 lbs (136 kg)
LPAU	40 - 80"	±5°	50 - 70" (1.2 - 1.8 m)	800 x 400 mm	200 lbs (90.7 kg)
MPAU	30 - 55"	±5°	50 - 70" (1.2 - 1.8 m)	600 x 400 mm	125 lbs (56.7 kg)
LFAU	40 - 80"	±5°	44.5 - 64.5" (1.1 - 1.6 m)	800 x 400 mm	200 lbs (90.7 kg)
MFAU	30 - 55"	±5°	44.5 - 64.5" (1.1 - 1.6 m)	600 x 400 mm	125 lbs (56.7 kg)

* Distance from floor to center of display



Need to adjust your display height on a regular basis?

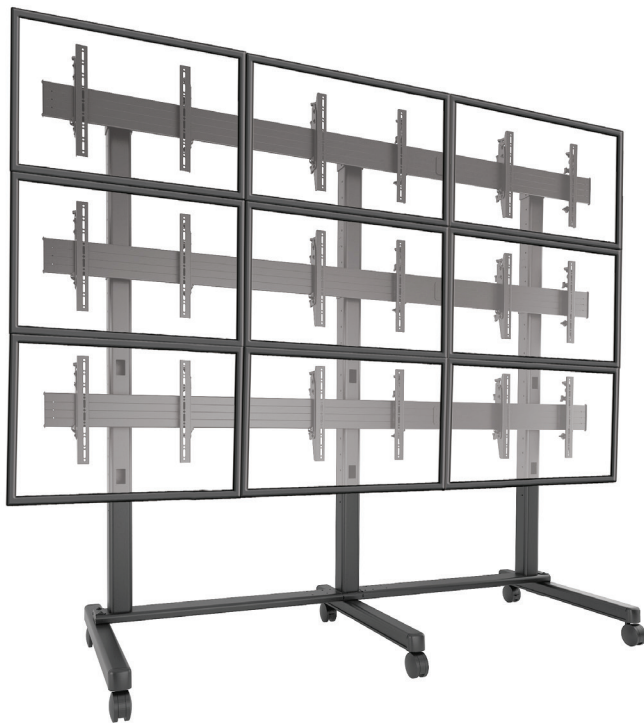
Check out our Fusion Series Dynamic Height Adjust Mounts for ultra-smooth and fast vertical travel. Ideal for interactive applications to increase display accessibility.

milestone.com/FusionDynamicVideo

CHIEF Fusion Dynamic Height Adjust Mounts

FREESTANDING VIDEO WALLS

Chief's Fusion® Series freestanding video walls provide a fresh solution for showcasing displays anywhere you want them. The LVM mounts make it possible to construct video walls in prominent locations for temporary situations. LBM mounts are bolt-down solutions for permanent video wall installations. Combine multiple mounts to achieve video walls up to three displays high and any length.



LVM3x3U

Freestanding 3x3 Video Wall Cart

FEATURES

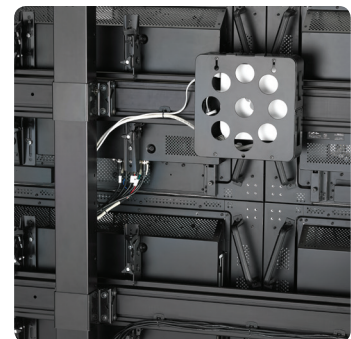
- Independent micro adjustments for height and plumb to easily align displays without tools
- Infinite vertical and lateral adjustments allow for tight display rows and columns
- Integrated cable management for a clean installation
- Landscape and portrait available in most configurations
- Black finish
- Carts include smooth rolling and lockable castors for easy positioning



Independent Tool-Free
Micro-Adjustment



Tool-Free Latching Flags



Complete Line of Storage
and Power Accessories



LVM3x1UP (portrait)
Freestanding 3x1 Video Wall Cart

XBM1UP (portrait)
XL Bolt-Down Stand

LBM3x2U
Bolt-Down 3x2 Video Wall Stand

SPECIFICATIONS

Model	Recommended Screen Size*	Orientation	Base	Weight Capacity (per screen)	Center of Display*
XBM1U	42 - 80"	Landscape	Bolt-down	250 lbs (113.4 kg)	16.4" (416 mm) - 82.4" (2092 mm)
XBM1UP	42 - 80"	Portrait	Bolt-down	250 lbs (113.4 kg)	16.4" (416 mm) - 82.4" (2092 mm)
LBM1x2U	42 - 80"	Landscape	Bolt-down	125 lbs (56.7 kg)	16.4" (416 mm) - 64.4" (1636 mm)
LBM1x2UP	42 - 80"	Portrait	Bolt-down	125 lbs (56.7 kg)	16.4" (416 mm) - 82.4" (2092 mm)
LVM2x2U	42 - 50"	Landscape	Cart	125 lbs (56.7 kg)	24" (609 mm) - 72" (1829 mm)
LVM2x2UP	42 - 50"	Portrait	Cart	100 lbs (45.4 kg)	24.47" (622 mm) - 90.5" (2297 mm)
LBM2x2U	42 - 50"	Landscape	Bolt-down	125 lbs (56.7 kg)	17.4" (441 mm) - 82.4" (2092 mm)
LBM2x2UP	42 - 50"	Portrait	Bolt-down	100 lbs (45.4 kg)	17.4" (441 mm) - 82.4" (2092 mm)
LVM3x1UP	42 - 46"	Portrait	Cart	125 lbs (56.7 kg)	24.47" (622 mm) - 72.5" (1841 mm)
LBM3x1UP	42 - 46"	Portrait	Bolt-down	125 lbs (56.7 kg)	17.4" (441 mm) - 64.4" (1635 mm)
LBM1x3U	42 - 65"	Landscape	Bolt-down	125 lbs (56.7 kg)	16.4" (416 mm) - 82.4" (2092 mm)
LVM3x2U	42 - 46"	Landscape	Cart	125 lbs (56.7 kg)	24" (609 mm) - 72" (1829 mm)
LVM3x2UP	42 - 46"	Portrait	Cart	100 lbs (45.4 kg)	17.4" (441 mm) - 82.4" (2092 mm)
LBM3x2U	42 - 46"	Landscape	Bolt-down	125 lbs (56.7 kg)	16.4" (416 mm) - 64.4" (1635 mm)
LBM3x2UP	42 - 46"	Portrait	Bolt-down	100 lbs (45.4 kg)	17.4" (441 mm) - 82.4" (2092 mm)
LVM3x3U	42 - 46"	Landscape	Cart	100 lbs (45.4 kg)	24" (609 mm) - 90" (2286 mm)
LBM3x3U	42 - 46"	Landscape	Bolt-down	100 lbs (45.4 kg)	16.4" (416 mm) - 82.4" (2092 mm)

* Accomodate larger screen sizes by adding FCAX Extension Bracket Accessories

* Minimum bottom row - Maximum top row

EXTRA LARGE VIDEO CONFERENCING CART

The Fusion® Extra-Large Video Conferencing Cart helps integrators meet expanding demands for mobile video conferencing solutions.

FEATURES

- A turn knob allows a single user to easily adjust the screen height
- Pre-installed front and rear rack rails in 11RU lengths support rack mountable equipment
- Vents at the bottom and up through the column provide passive thermal management airflow
- Removable side, rear and front panels for easy component access and cable management
- Includes 14" (356 mm) wide above or below component shelf (FCA501) and lockable front casters
- Ships fully assembled
- Can be customized for dual display applications with the dual monitor accessory (FCA623B)



XVAU
XL Video Conference Cart

SPECIFICATIONS

Model	Recommended Screen Size	Tilt	Maximum Mounting Patterns (WxH)	Weight Capacity (per screen)	Center of Display to Floor Range
XVAU	37 - 70"	±2.5°	800 x 400 mm	250 lbs (113 kg)	42" (1064 mm) - 50.4" (1280 mm)



ACCESSORIES

All of the Fusion cart and stand solutions can be customized with a host of available accessories - many of which work across the entire Fusion product line: freestanding, ceiling and wall mounts. Customize projects to meet your needs with shelves, speaker adapters, CPU holders, storage, power management and more. Save on inventory space by stocking one accessory that works with multiple products.

FOR ALL FUSION CARTS AND STANDS



FCA820/821*
Center Camera Shelves



FCA800/801*
Above/Below Shelves
For Large Displays



FCA810/811*
Above/Below Shelves
For XL Displays



FCA510/FCA515*
Small and Medium Storage
Accessories for PC



FCA802/812
Component Shelves for
Large and XL Displays



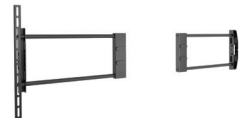
FCA520*
Universal
Clamp Kit



FCACLIPS*
Quick Tie Cable
Clips (10 pk)



FCA830/840*
Center Channel
Speaker Adapters



FCA831/841*
Side Speaker Adapters

FOR FUSION SINGLE DISPLAY CARTS & STANDS ONLY



FCA612
Large Accessory Shelf



FCA650/FCA651
CPU Holders



FCA623
Dual Monitor Accessory



FCA800V/FCA810V
ViewShare Video
Conferencing Kits

FOR FREESTANDING VIDEO WALLS ONLY



FCA2x1U/FCA3x1U
Video Wall Adapter



FCAX*
Video Wall
Extension Brackets



FCABX18/FCABX36
LBM Video Wall
Height Extension†

*Also works with ceiling mounted video wall solutions

*Works across Fusion fixed and tilt wall, freestanding and ceiling mounts

†Designed for use with LBM bolt-down video walls only. Please see milestone.com for specific compatibility information.

*Additional kit options available on milestone.com. NOTE: FCA776 Leveling Feet for carts also available. See back page.

EXTRA LARGE VIDEO WALLS

Chief also offers the Fusion Extra Large Single Screen Cart, which provides a mobile solution for screens between 90" and 105" and up to 500 lbs (226.8 kg).



XVM1x1U
Extra Large Single Screen Cart

FEATURES

- Universal bracket design to match multiple displays
- Smooth rolling casters for effortless positioning (1 locking caster per leg)
- Available leveling feet (FCA776) for more permanent installations*



** Also compatible with single and multi-display Fusion freestanding carts.*



INSTALLER INSPIRED | milestone.com

USA P 866.977.3901 E chief@chiefmfg.com

CANADA P 877.345.4329 E canadainfo@milestone.com

EMEA P +31 495 580 840 E emea.sales@milestone.com

APAC P +852 2145 4099 E asia.chief@milestone.com

In British Columbia, Milestone AV Technologies ULC carries on business as MAVT Milestone AV Technologies ULC.

©2016 Milestone AV Technologies. 1300231 11/16 Chief is a registered trademark of Milestone AV Technologies. All other brand names or marks are used for identification purposes and are trademarks of their respective owners. All patents are protected under existing designations. Other patents pending.

milestone

BRANDS OF MILESTONE AV TECHNOLOGIES

Chief | Da-Lite | Projecta | Sanus | Vaddio